



Fire alarm systems

Addressable siren

3377

- High sound output but low current consumption
- Three different tones and priority levels
- Connected directly on the COM loop

General

The siren is a general purpose sounder that consists of a horn (incl. all electronics) and a back box, which has double cable entries. It is made of red ABS plastic. The COM loop is connected directly to the siren via a plug-in 4-way terminal block (2 in / 2 out).

High sound output

The siren has a high sound output but a low current consumption. The volume can be adjusted via a potentiometer.

Priority levels

Three priority levels are available in systems EBL512 and EBL512 G3 (High, Medium & Low) and two priority levels in system EBL128 (High & Low). For each level an output control expression and a Sound type have to be programmed (via Win128 / Win512 / WinG3).

Sound types

Three Sound types are available:

- Steady (continuous) 990 Hz
- Intermittent (pulsed) 990 Hz, 0.5s / 0.5s
- Alternating (two-tone) 990/650 Hz, 0.25s / 0.25s

The siren can, for example, be used for pre-warning, fire alarm and general fire alarm, with a different Sound type for each type of alarm.

Address & Mode setting

For COM loop address setting, the address setting tool 3314 is used. The siren has an address label where the address is to be written. 3314 is also used to set the mode:

- **NORMAL** mode: 3377 in Win128 / Win512 / WinG3.
- **2330** mode: Can not be used.
- **2312** mode: Can not be used.

Miscellaneous

The address setting tool 3314 is connected directly to siren's connectors when the terminal block is unplugged.

The siren is power supplied via the COM loop, i.e. the number of sirens is depending on the type and number of other units connected to the same COM loop.

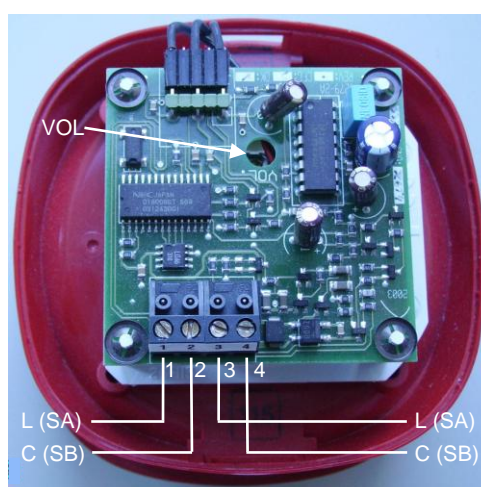
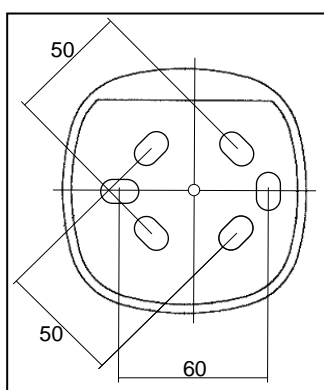
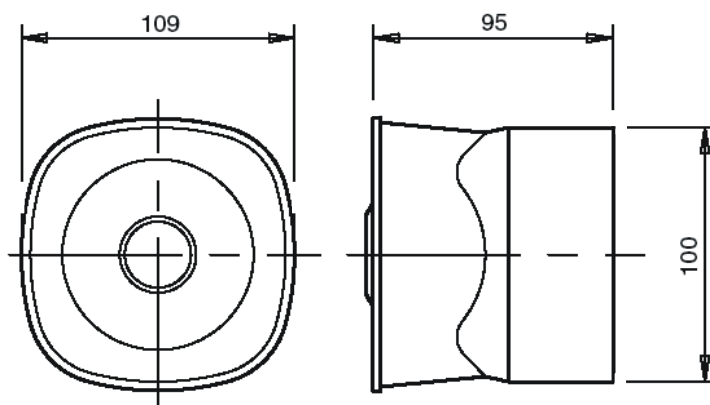
Product applications

Used in the systems EBL128, EBL512 (SW version ≥ 2.2) and EBL512 G3. The siren is intended for indoor use and in dry premises.

Type number

3377

Addressable siren



Technical data

Voltage (V DC) rated allowed normal	24 12-28 24
Current consumption from COM loop at norm. volt. (mA) quiescent active	1 ≤17
Ambient temperature (°C) operating storage	-10 to +55 -25 to +70
Ambient humidity (% RH)	Max. 95, non condensing
Ingress Protection rating	IP 21C
Sound output (dB (A) @ 1 m)	90.3 ±3 (max. volume) 70.9 ±3 (min. volume)
Frequency stability (%)	±0.5
Weight (g)	212
Colour	Red (ABS plastic case)
Approvals	CE 09 EC certificate no. 0786-CPD-20897 EN54-3:2001 + A1:2002 + A2:2006, type A

All technical features and data are subject to changes without notice, resulting from continuous development and improvement.

Product Leaflet	Date of issue	Revision / Date of revision
MEW00128	2003-06-30	6 / 2011-03-10