

## Fire alarm system **EBL128**



An analog addressable fire alarm system  
for early detection without unwanted alarms

**Panasonic**

*The demands on fire alarm systems are increasing. The system must have the highest possible alert during the normal daily activities, i.e. the most important task for a fire alarm system is an early detection of a fire in order to save life and property in different environments. Difficult detected fires, such as glowing or smouldering fires, have to be quickly and effectively detected. On the other hand, you also want to reduce the nuisance alarms to a minimum, i.e. the system has to have a high sensitivity and a low sensitivity "at the same time".*

*The system is also exposed to an increasing number of interferences such as mobile telephones and disturbances from the surrounding environment.*

*All these demands require an intelligent system, i.e. both the c.i.e. and the detectors have to be intelligent.*

### General

EBL128 is an analog addressable fire alarm system.

EBL128 fulfils the EN54 standards: EN54 part 2 (Control and Indicating Equipment) and EN54 part 4 (Power Supply).

The c.i.e. can, on the COM loop, handle up to 128 input and/or output units, i.e. detectors, manual call points, general in and output units for free programmable user definable functions, etc. Each loop unit uses one address.

Conventional detectors can also be used in the system.



EBL128 Control and Indication Equipment.

### EBL128 - a unique concept for early and safe detection without any nuisance alarms

EBL128 is a fire alarm system with a unique functionality and many built-in functions. Advanced alarm algorithms, compensation for contamination, self-diagnostics and inter activity makes the system suitable for almost any premises.

- Each analog detector in the system is individually supervised and the sensitivity of each analog detector is constant, in spite of any contamination or background particles. The long-term changes as e.g. contamination are treated differently from the short-term changes as e.g. a smouldering fire.
- Intelligent alarm algorithms and a unique self learning algorithm to detect smouldering fires.
- Two different alarm algorithms can be used for each detector every day, turned on/off by an internal or external time channel (e.g. an output from another system).
- A family of state of the art analog detectors gives the c.i.e. accurate and noise free information about occurrence of smoke and also temperature changes in the installation.



The analog detector types 33xx (left) received a design award at the 1998 Hanover Exhibition. The newer analog detector types 43xx (right) have an even more attractive & slender design.

A large variety of units can be connected to the COM loop:

- Analog addressable smoke and heat detectors
- Water proof heat detectors
- Addressable manual call points
- Addressable short circuit isolators
- Addressable sirens / sounder bases
- Addressable I/O units (inputs / supervised outputs as well as relay outputs)
- Addressable power supplies
- Conventional detectors via I/O units

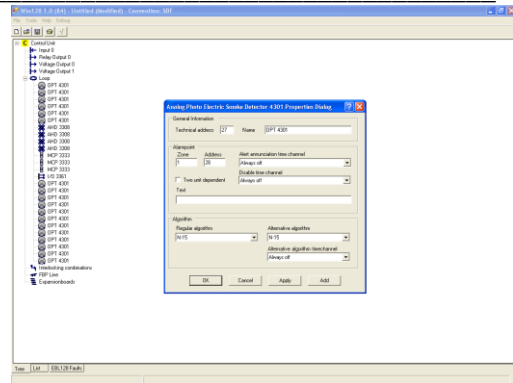
**The EL128 fire alarm system has a set of functions that meets the most stringent requirements relating to fire detection, fire presentation and measures that have to be taken.**

- Service signal is given when a smoke detector is contaminated to a certain level, the service level.

- A large number of alarm algorithms is supported by the system and can be set to each analog detector individually.
- Alert annunciation. The output for the alarm transmitter can be delayed for immediate on site investigation of a fire alarm.
- Individual detectors, zones, programmable outputs and outputs for the alarm transmitter can be individually disabled.
- Internally and/or externally controlled time channels. E.g. one or more alarm points may be disabled via a time channel.
- Outputs can be programmed in a very flexible way enabling control of sirens, fire doors, extinguishing systems etc.
- External Fire brigade panels can be connected to the c.i.e.
- Presentation of the actual system status in a PC or a Pocket-PC via the **Web-server II** connected to an intranet (LAN) or Internet. In case of fire alarm, service signal etc. e-mails can be sent to the adequate personnel. The web-server also provides transferring of information to an external computer system.

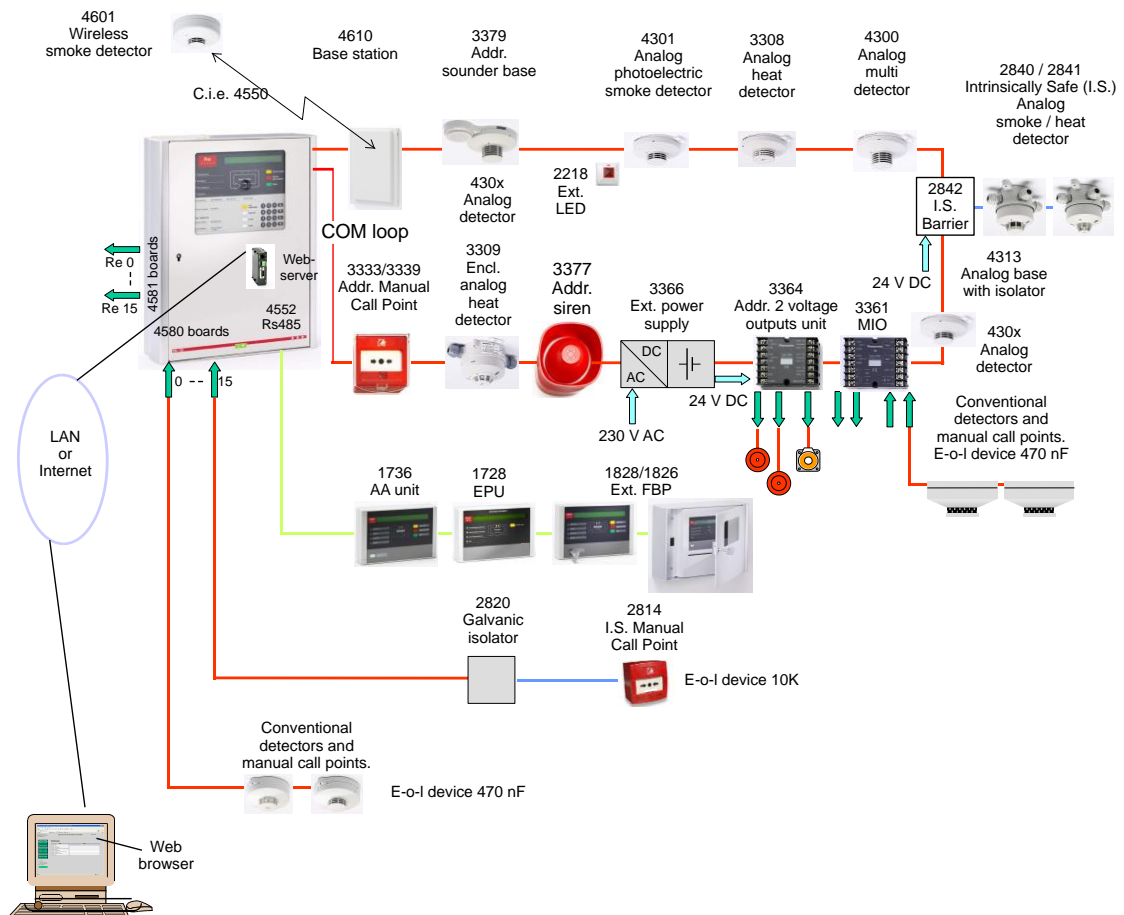
**Planning, commissioning and installation tool Win128**

Modern fire alarm systems are very complex and versatile. In order to get the optimal performance and cost effective planning, installation, commissioning and maintenance of a system, we provide our distributors with a powerful tool. This tool is the Windows based PC software **Win128**, which is a complete support packet for the EBL128 system. All configurations and settings for the system are done in Win128 and downloaded to the c.i.e. For faster and easier commissioning, also an "SSD auto generation" is available.



Win128 is used when planning an installation. After the planning, the "site specific data" (SSD) is downloaded to the c.i.e. The data can also be uploaded from the c.i.e. Win128 is also used to download new software, etc.

**System overview:**



**Products in the EBL128 system:****Control and Indication Equipment (c.i.e.)**

4550	EBL128 CU 128 addresses
------	-------------------------

**Expansion boards, etc.**

4551	Expansion board holder (for up to 4 exp. boards)
4580	8 zones expansion board (8 conventional zone line inputs)
4581	8 relays expansion board
1598	Web-server II (SW: Web128 II downloaded via a config. tool.)
4552	RS485 transceiver component (Interface for Display Units)

**Display Units, etc.**

1728	External Presentation Unit (EPU; Designation texts in Swedish / English)
1735 / 1736	Alert Annunciation Unit (AAU; Designation texts in Swedish / other language)
1826 / 1828	External Fire Brigade Panel (Ext. FBP; Metal / ABS plastic housing)
4513	Cabinet for drawings (to be mounted together with 4550 or 1826)

**Analog Detectors**

3308	Analog heat detector *
3309	Analog heat detector, water proof
3312	Analog base (For analog detectors)
3312F	Analog base (For analog detectors) Fast connectors.
3312FL	Analog base (For analog detectors) Fast connectors. Ext. LED output.
4300	Analog multi detector * (heat & smoke)
4301	Analog photoelectric smoke detector *
4313	Analog base with isolator (For analog detectors)

\* Detector to be plugged in Analog base 3312 or 4313.

**Conventional Detectors****(connected to 4580 board or on the COM loop via a zone line input on 3361)**

2324	Base (For conventional detectors)
4318	Combination heat detector ** (59 degrees + rate-of-rise)
4350	Multi detector ** (heat & smoke)
4352	Photoelectric smoke detector **
4375	Heat detector 60 degrees **
4376	Heat detector 80 degrees **
6295	Heat detector 60 degrees, water proof
6296	Heat detector 80 degrees, water proof
6297	Heat detector 100 degrees, water proof
6298	Heat detector 120 degrees, water proof

\*\* Detector to be plugged in Base 2324.

**Intrinsically Safe equipment (analog / conventional)**

2840	IS analog smoke detector (incl. back-box). For connection to 2842.
2841	IS analog heat detector (incl. back-box). For connection to 2842.
2842	IS barrier unit (for 2840 and 2841)
2810	IS photoelectric smoke detector ***
2811	IS heat detector ***
2812	IS base
2814	IS manual call point (conventional, connected via 2820)
2820	Galvanic isolator (connected via 4580 input)

\*\*\* Detector to be plugged in IS base 2812.

**Other peripheral devices**

2218	External indicator (ext. LED)
3314	Address setting tool for the units connected to the COM loops
3333	Addressable manual call point
3339	Addressable manual call point, water proof
3361	Addressable Multipurpose I/O unit (Two inputs & two outputs)
3364	Addressable 2 voltage outputs unit
3366	External power supply (Addressable)
3377	Addressable siren
3379	Addressable sounder base (for analog detectors)
4380	Addressable beacon
4582	I/O Matrix board
4610	Addressable Base station for wireless units
4601	Wireless smoke detector (incl. base)

**Panasonic** ideas for life

---

Panasonic Electric Works Nordic AB  
Jungmansgatan 12, SE-211 19 Malmö, Sweden  
Tel: +46 (0)40 697 70 00 • Fax: +46 (0)40 697 70 99  
info-fste@eu.pewg.panasonic.com • www.panasonic-fire-security.com

MEW00842 (Rev 3)

