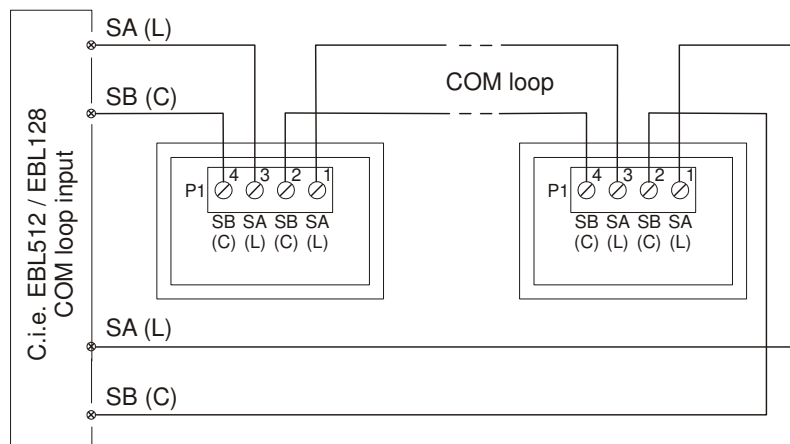


## Engineering Instructions for Addressable manual call point 3333.



Note! More information and figures are found in the supplied “Call point installation details”.

### 1. Mounting of the backbox

Mount the supplied red backbox on the wall. There is provision for rear cable entry. In case of open wiring (surface mounted back box), cable holes can be drilled into the top or bottom of the back box – Max. diameter 20mm.

### 2. Program the COM loop address

Program the COM loop address of the manual call point with the 3314 address setting tool. Two flying leads (wires) are connected to the terminal block, for connection of the 3314 address setting tool’s connection cable. The wires are to be disconnected before the COM loop wires are connected.

Note! The address has to be programmed before the m.c.p. is connected to the COM loop.

### 3. Wiring

Use single copper wire, 0.6 - 1.2 mm in diameter. Strip its coating by 10 mm and put it into the terminal respectively. Tighten the terminal screws firmly, max. torque 0.4 Nm.

The wires from the c.i.e. "COM loop input" shall be connected to the SA and SB terminals respectively according to the figure.

Connect the next unit or the wires going back to the c.i.e. "COM loop input" to the SA and SB terminals in the unit according to the figure.

### 4. Plugging the front in the backbox

Remove the front cover (the red part) by using the supplied test key. Press the two “pins” on the key into the corresponding holes in the bottom of the front cover to separate the front cover from the black part.

Remove the glass element. The black part is mounted on the back box with the two supplied screws.

Place the top edge of the glass element against the spring and microswitch plunger and push it upwards until the glass element comes in correct position.

Put the front cover in position by applying the top edge first, then push the bottom onto the black part.

All technical features and data are subject to changes without notice, resulting from continuous development and improvement.

Engineering instructions	Date of issue	Revision / Date of revision
MEW00937	2007-06-26	