

Fire alarm systems **Web-server II S/W** **Web512 / Web128 /** **WebG3**

- Software for the Web-server II, 1598
- Configuration tools for Web512, Web128 and WebG3 respectively

General

The hardware, Web-server II 1598 (see product leaflet MEW00929) is mounted outside and close to (≤ 3 m) an EBL512 c.i.e. or inside an EBL128 c.i.e.

Web-server II software

Depending on the downloaded software, the web-server II can be used for different functions. A configuration tool is used to create and download the configuration and the software for the function, e.g. **Web512** or **Web128**.

Web512 / Web128 / WebG3 **(software)**

Web512 II Configuration tool.

Web128 II Configuration tool.

WebG3 Configuration tool.

For presentation of the actual EBL512 (version ≥ 2.3), EBL128 (version ≥ 1.0) or EBL512 G3 status in a PC using the web browser Microsoft Internet Explorer, via Internet or an intranet (LAN). *User name* and *Password* can be used.

For EBL512, version ≥ 2.5 , EBL128 version ≥ 1.1 and EBL512 G3, also remote control with encrypted and safe two-way communication. *User names* and *Passwords* for five different *User (access) levels*.

Depending on the access level, fire alarms can be reset, faults acknowledged, alarm points can be disabled, etc.

E-mails

E-mails can be sent in case of fire alarm, pre-warning, test mode alarm, fault, disablement and/or service signal.

Gateway functions

One of the following gateway functions can be used:

EBL Talk, an open protocol, used to transmit and present EBL512, EBL128 or EBL512 G3 status information (fire alarms, faults, disablements etc.) in a separate PC application via RS232.

Tateco, a protocol used to transmit and present fire alarm information in an Ascom Tateco paging system.

SIA, a protocol used to transmit and present status information in a separate PC application.

EBL Talk (TCP/IP), like EBL Talk but via TCP/IP instead of RS232. (EBL512 G3 only.)

Configuration & S/W **download**

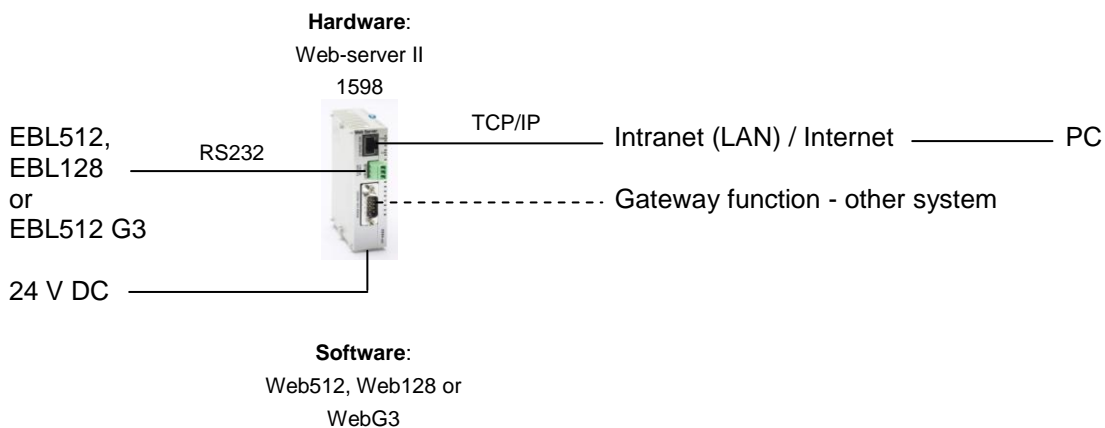
After the web page configuration (PC tool **Web512 II Config tool V2.x**, **Web128 II Config tool V1.0.4** or **WebG3 Config tool V1.0.x**), the web page and the web-server software are downloaded to the Web-server II via TCP/IP.

Type number	
1 ¹⁾	Web512 II Configuration tool for EBL512 version \geq 2.3.
1 ¹⁾	Web512 II Configuration tool for EBL512 version \geq 2.5. (Remote control possible.)
1 ¹⁾	Web128 II Configuration tool for EBL128 version \geq 1.0.
1 ¹⁾	Web128 II Configuration tool for EBL128 version \geq 1.1. (Remote control possible.)
1 ¹⁾	WebG3 Configuration tool for EBL512 G3. (Remote control possible.)
1598	Web-server II, incl. cable & accessories kit (the RS232C and power supply cables for system EBL512 are 3 m and for system EBL128, 0.65 m.).

1¹⁾ The configuration tools can be downloaded from our web page. Since the configuration tool is different depending on the system (EBL512, EBL128 or EBL512 G3) and also the EBL software version, there are different versions to be found on the web page. It is very important that the configuration tool has the same version as the EBL version, i.e. the two first digits (e.g. 2.5.x).

<http://www.panasonic-fire-security.com>

NOTE! User name and Password are required for software download.



All technical features and data are subject to changes without notice, resulting from continuous development and improvement.

Product Leaflet	Date of issue	Revision / Date of revision
MEW01121	2008-09-23	1 / 2011-01-17