



3364

Addressable 2 voltage outputs unit

Fire alarm solutions
technical description

Table of Contents

1.	INTRODUCTION	3
2.	ABBREVIATIONS	4
3.	GENERAL DESCRIPTION	5
3.1.	OUTPUTS	5
3.1.1.	CALIBRATION OF SUPERVISED VOLTAGE OUTPUTS	5
4.	SET THE COM LOOP ADDRESS	6
5.	SET THE MODE	6
5.1.	COMPATIBILITY TABLE	6
6.	MOUNTING	7
6.1.	PROTECTION COVER	7
7.	INSTALLATION AND WIRING	8
8.	TECHNICAL DATA	9
9.	APPROVALS	10

1. INTRODUCTION

This document describes the Addressable 2 voltage outputs unit, type number 3364.

The document contains information about the product and instructions on how to mount and connect it.

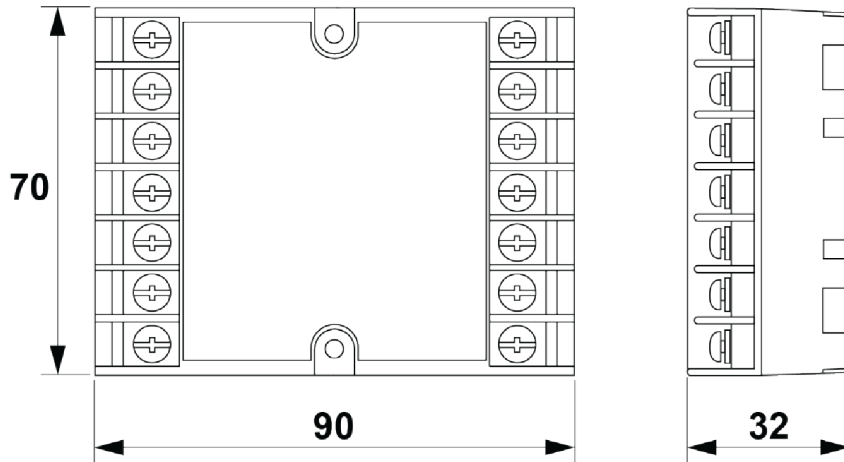
2. ABBREVIATIONS

I/O	Input/Output	
LED	Light Emitting Diode	
nF	nanofarad	

3. GENERAL DESCRIPTION

The addressable 2 voltage outputs unit has 14 screw terminals for cable connections. The unit is intended to be surface mounted and a plastic protection cover (with 10 cable inlets) is attached. The addressable 2 voltage outputs unit require external 24V DC power supply.

The unit is intended for indoor use and in dry premises.



(Measure in mm)

3.1. OUTPUTS

The unit has three outputs:

- VO0 and VO1
Two programmable and supervised 24 V DC intended for alarm devices. 470 nF capacitors have to be used in up to five units on the line. If more than five units are connected to the line, one end-of-line 470 nF capacitor shall be mounted in the last unit. For each capacitor is also a Termination device (5098) required.
- VO2
One special 24 V DC output intended for fire door closing. VO2 is not only controlled by a control expression, it will also be powerless about 30 seconds after:
 - the /Mains OK input goes high
 - the COM loop communication is interrupted

The outputs are programmed via EBLWin.

3.1.1. CALIBRATION OF SUPERVISED VOLTAGE OUTPUTS

Calibration has to be done via menu in the EBL system. A calibration value outside the range (470 to 5x470nF) will generate a fault in the CIE .

If the actual value at any time differs from the calibrated value \pm a tolerance, or if there is a break or short-circuit on the line, a fault will be generated

4. SET THE COM LOOP ADDRESS

Each COM loop unit has to have a unique COM loop address (001-253). The address is set with the Address Setting Tool (4414).

The COM loop address and mode settings have to be done when the unit is powered but not connected to the COM loop.

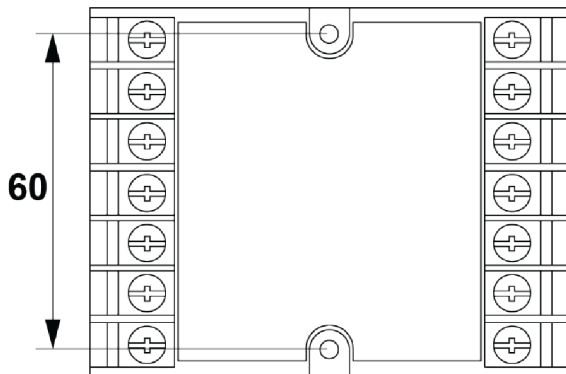
5. SET THE MODE

5.1. COMPATIBILITY TABLE

	Advanced mode	NORMAL mode	2330 mode	2312 mode
EBL512 G3	Not used	All versions	Not used	Not used
EBL128	Not used	All versions	Not used	Not used
EBL512	Not used	V ≥ 2.3	V ≥ 2.2	Not used
Configured as:	-	-	2262	-

6. MOUNTING

Mount the addressable multipurpose I/O unit on the wall or in the ceiling. The unit can be DIN rail mounted with help of a DIN rail interface kit, 3363.



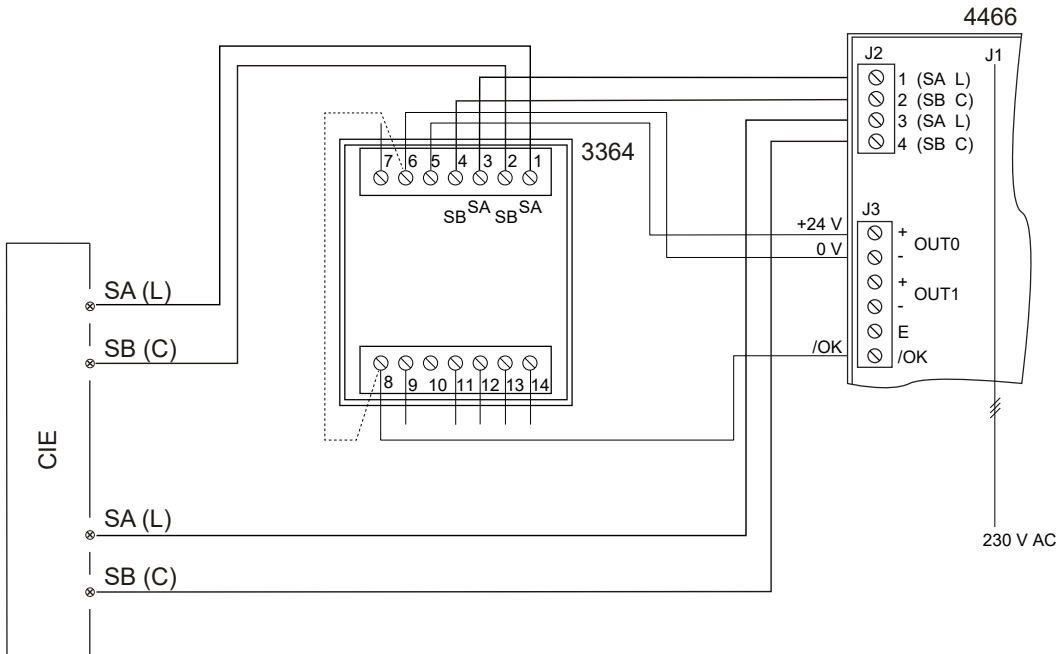
(Measure in mm)

6.1. PROTECTION COVER

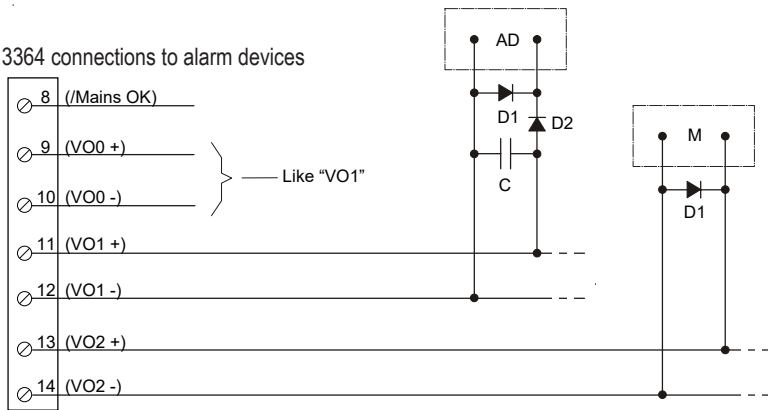
Cut out the appropriate cable inlets in the protection cover. Push the protection cover in place.

7. INSTALLATION AND WIRING

Screen wire termination is not provided.



3364 connections to alarm devices



- AD = Alarm Devices
- D1 = Protective diode (1N4004)
- D2 = Series diode (1N4004)
- C = Capacitor (470nF)
- M = Fire door release magnet

Wire size (Min)	Ø 0.6 mm (0.28 mm ²)
Wire size (Max)	Ø 1.6 mm (2 mm ²)

8. TECHNICAL DATA

All current consumptions are valid by nominal voltage and by 25 °C.

Voltage: Allowed Normal	12 – 30V DC 24V DC
Current: Quiescent Active	< 6 mA < 6 mA
Inputs: 24 v DC Power supply /Mains OK	18-30V DC Normally low
Outputs: VO0 (supervised) VO1 (supervised) VO2 (not supervised)	Max 1 A (Continuous 1 A, during 10 ms 1.4 A) Max 1 A (Continuous 1 A, during 10 ms 1.4 A) Max 1 A (Continuous 1 A, during 10 ms 1.4 A)
Address range	001-253
Address setting	With address setting tool
Short circuit isolator	No
Internal battery	No
Material	FR ABS and polycarbonate
Ambient temperature: Operating Storage	-10 to +55 °C -20 to +60 °C
Ambient humidity	Maximum 95 % RH (Non condensing)
Ingress protection rating	IP54
Size: H x W x D	90 x 70 x 32 mm 129 x 73 x 45 mm (incl. plastic protection cover)
Weight:	110 g 155 g (incl. plastic protection cover)
Colour	Dark grey

9. APPROVALS

Applicable directive/ Approval	Applicable standards	Notified body
CPR	EN54-18	VdS No. 0786-CPR-21201
EMC	EN61000-6-3 (Emission) EN50130-4 (Immunity)	Self declaration VdS
RoHS	EN IEC 63000	Self declaration



DOCUMENT NAME: TECHNICAL DESCRIPTION 3364
DOCUMENT NUMBER: MEW01900 EN
DATE OF ISSUE: 2016-01-11
REV: 3
DATE OF REVISION: 2023-10-02

Panasonic Fire & Security Europe AB

Jungmansgatan 12
SE-211 11 Malmö
Sweden
Tel: +46 (0)40 697 70 00