

4439

**ENCLOSED
ADDRESSABLE
MANUAL CALL POINT
WITH ISOLATOR**

Fire alarm solutions
technical description

Table of Contents

1.	INTRODUCTION	3
2.	ABBREVIATIONS	4
3.	GENERAL DESCRIPTION	5
3.1.	PROTECTIVE COVER	5
3.2.	LED	5
3.3.	ENCAPSULATED CIRCUIT	5
4.	SET THE COM LOOP ADDRESS	6
4.1.	AUTO ADDRESSING	6
4.2.	MANUAL ADDRESSING	6
5.	SET THE MODE	6
5.1.	COMPATIBILITY TABLE	6
6.	ROUTINE TESTING	7
7.	REPLACE THE GLASS ELEMENT	7
8.	MOUNTING	8
9.	INSTALLATION AND WIRING	9
10.	TECHNICAL DATA	10
11.	APPROVALS	11

1. INTRODUCTION

This document describes the addressable manual call point with isolator, type number 4439.

The document contains information about the product and instructions on how to mount and connect it.

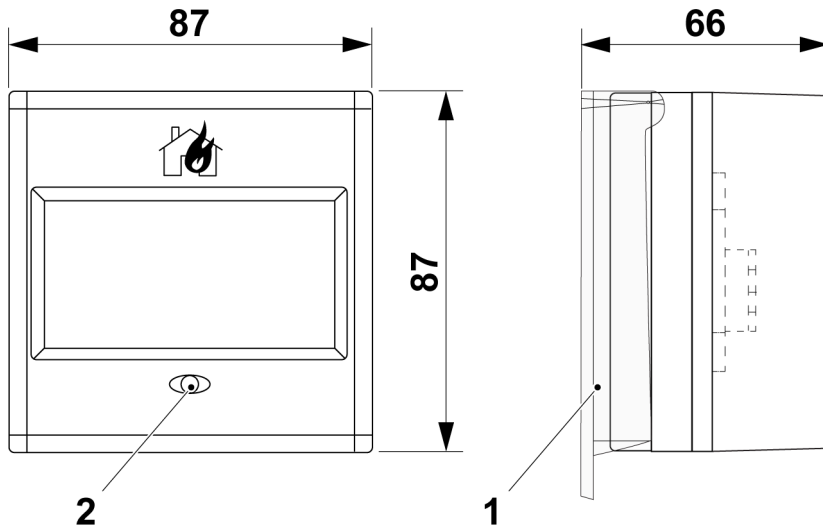
2. ABBREVIATIONS

CIE	Control and indicating equipment	= control unit
LED	Light Emitting Diode	
IP	Ingress Protection rating	

3. GENERAL DESCRIPTION

The enclosed addressable manual call point with isolator is used for immediate manual actuation of a fire alarm. To operate the manual call point the glass element is pressed until it is broken. This will generate a fire alarm in the CIE.

It is intended for outdoor use or in humid areas. The unit must not be exposed for temperature lower than -25 °C.



(Measure in mm)

1. Protective cover
2. LED

3.1. PROTECTIVE COVER

To protect the manual call point against accidental operation, a transparent polycarbonate flap has to be lifted for access to the glass element.

3.2. LED

The manual call point has one built-in LED. The LED will flash to indicate communication with the CIE. The flashing LED can be disabled via EBLWin. The LED is then switched off until the manual call point is operated.

A steady light indicate that the manual call point has activated the fire alarm.

3.3. ENCAPSULATED CIRCUIT

All electronics are encapsulated. Only the terminal block is accessible from the rear. Mounted in the supplied red back-box with the tightening gasket on place, the IP rating is IP66.

4. SET THE COM LOOP ADDRESS

4.1. AUTO ADDRESSING

The 4439 supports automatic addressing via EBLWin.

For more information, see Planning instructions for the system, version 2.4.x or later.

4.2. MANUAL ADDRESSING

Each COM loop unit has to have a unique COM loop address (001-253).

Set the address with the Address Setting Tool (4414 or 4414E). Use the connection cable with crocodile clips to connect the flying leads with the tool's SA & SB terminals.

The COM loop address and mode settings have to be done before the unit is connected to the COM loop.

5. SET THE MODE

Set the mode with the Address setting tool (4414 or 4414E) according to the table below.

5.1. COMPATIBILITY TABLE

	Advanced mode	NORMAL mode	2330 mode	2312 mode
EBL512 G3	Not used	V ≥ 2.0	V ≥ 2.0	V ≥ 1.1
EBLOne	Not used	V ≥ 3.3	Not used	Not used
EBL128	Not used	V ≥ 1.1	V ≥ 2.0	Not used
Configured as:	-	-	3333	2333
Isolator in use:	-	Yes	No	No

6. ROUTINE TESTING

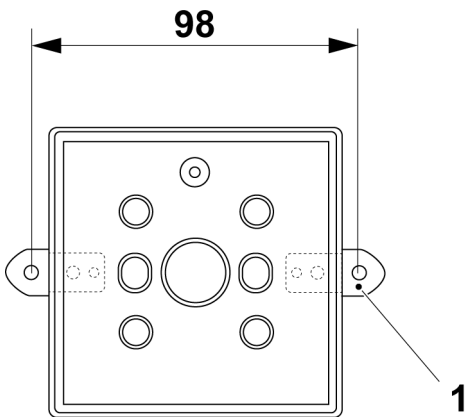
- a) Insert the test key into the hole in the front cover. The glass position will change, indicating that the manual call point is operated.
- b) Wait until the LED is turned on.
- c) Pull out the test key and the glass position will return to normal.
- d) Reset the fire alarm in the CIE. The LED will be turned off in the manual call point.

7. REPLACE THE GLASS ELEMENT

- a) Make sure the manual call point is disabled.
- b) Remove the front cover by using the test key. Press the two pins on the key into the corresponding holes in the bottom of the front cover to separate the front cover from the black part.
- c) Lift and remove the front cover
- d) Remove the broken glass element.
- e) Place the top edge of the replacement glass element against the micro switch plunger. Push the glass element upwards until it is in correct position.
- f) Put the front cover in position by applying the top edge first and then push the bottom part onto the black part.
- g) Re-enable the manual call point.
- h) Perform a routine test, see [6. ROUTINE TESTING](#) on page 7.

8. MOUNTING

The enclosed addressable manual call point must be mounted on the wall. Screws are not supplied.



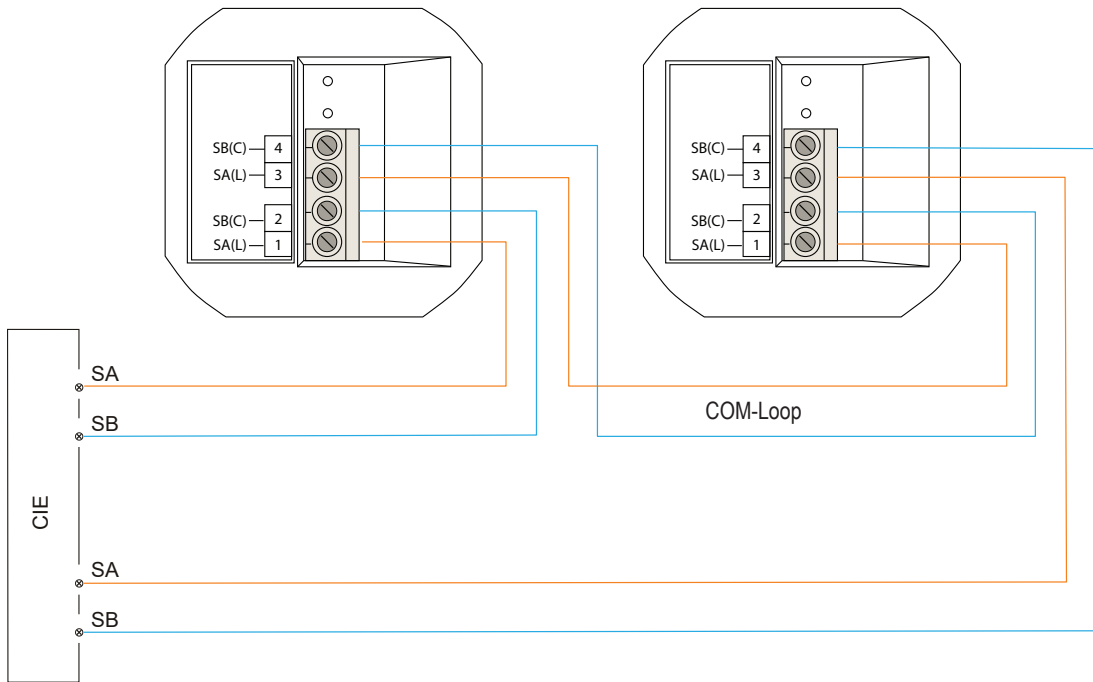
(Measure in mm)

1. Mounting flange

- a) Mount the mounting flanges with the supplied screws.
- b) Cut out the required number of knockouts into the top or bottom of the back box (max diameter 20 mm).
- c) Apply the cable glands before mounting the manual call point on the wall.
- d) Mount the red back box on the wall.
- e) Remove the front cover by using the test key. Press the two pins on the key into the corresponding holes in the bottom of the front cover to separate the front cover from the black part.
- f) Remove the glass element.
- g) Mount the black part on the back box with the supplied screws.
- h) Place the top edge of the replacement glass element against the micro switch plunger. Push the glass element upwards until it is in correct position.
- i) Put the front cover in position by applying the top edge first and then push the bottom part onto the black part.

9. INSTALLATION AND WIRING

Screen wire termination is not provided.



Wire size (Min)	Ø 0.8 mm (0.5 mm ²)
Wire size (Max)	Ø 1.6 mm (2 mm ²)

10. TECHNICAL DATA

All current consumptions are valid by nominal voltage and by 25 °C.

Voltage: Allowed Normal	12 – 30V DC 24V DC
Current: Quiescent Active	1.6 mA 2.7 mA
Address range	001-253
Address setting	With address setting tool
Short circuit isolator	Yes
Internal battery	No
Material	FR ABS and polycarbonate
Ambient temperature: Operating Storage	-25 to +70 °C -40 to +85 °C
Ambient humidity	Maximum 90 % RH (Non condensing)
Ingress protection rating	IP66
Size: H x W x D	87 x 87 x 66 mm
Weight	237 g
Colour	Red (ISO 3864)

11. APPROVALS

Applicable directive/ Approval	Applicable standards	Notified body
CPR	EN54-11 EN54-17	VdS No. 0786-CPD-21236
VdS	EN54-11 EN54-17 VdS 2344 VdS2504	VdS No. G213005
EMC	EN61000-6-3 (Emission) EN50130-4 (Immunity)	Self declaration VdS
RoHS	EN IEC 63000	Self declaration



DOCUMENT NAME: TECHNICAL DESCRIPTION 4439
DOCUMENT NUMBER: MEW01943 EN
DATE OF ISSUE: 2015-11-18
REV: 5
DATE OF REVISION: 2024-09-02

Panasonic Fire & Security Europe AB

Jungmansgatan 12
SE-211 11 Malmö
Sweden
Tel: +46 (0)40 697 70 00