



**4412F, 4412S, 4412J**

**ANALOG BASE**

Fire alarm solutions  
technical description

# Table of Contents

<b>1.</b>	<b>INTRODUCTION</b>	<b>3</b>
<b>2.</b>	<b>ABBREVIATIONS</b>	<b>4</b>
<b>3.</b>	<b>GENERAL DESCRIPTION</b>	<b>5</b>
3.1.	BASE	5
3.1.1.	SCREW TERMINALS 4412S	5
3.1.2.	FAST CONNECTORS 4412F & 4412J	5
3.2.	LABEL HOLDER	5
<b>4.</b>	<b>MOUNTING</b>	<b>6</b>
<b>5.</b>	<b>INSTALLATION AND WIRING</b>	<b>7</b>
<b>6.</b>	<b>TECHNICAL DATA</b>	<b>8</b>
<b>7.</b>	<b>APPROVALS</b>	<b>9</b>

# 1. INTRODUCTION

This document describes the analog bases, type number 4412F, 4412J and 4412S.

The document contains information about the product and instructions on how to mount and connect it.

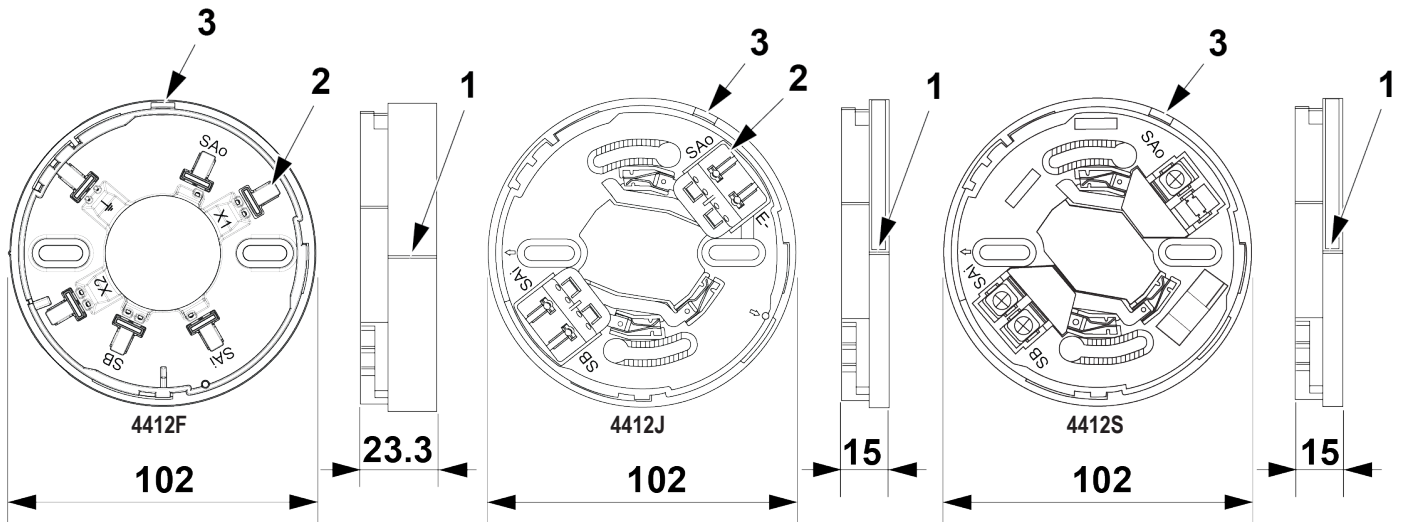
## 2. ABBREVIATIONS

<b>LED</b>	Light Emitting Diode
<b>RH</b>	Relative Humidity

### 3. GENERAL DESCRIPTION

The analog base 4412F, 4412J, and 4412S are connected to a COM loop. The analog multi detector 4400I and the analog smoke detector with isolator 4401I can be plugged in the bases 4412F, 4412J, and 4412S.

The base is intended for indoor use and in dry premises.



(Measure in mm)

- 1. Mark
- 2. Fast connector
- 3. Position for label holder

### 3.1. BASE

Ceiling mounted.

There is a "Mark" on the base for positioning of the detector. This is also the position of the built-in LEDs of the detector, in horizontal level.

#### 3.1.1. SCREW TERMINALS 4412S

The base 4412S has screw connectors for all terminals. See also chapter 5. INSTALLATION AND WIRING on page 7.

#### 3.1.2. FAST CONNECTORS 4412F & 4412J

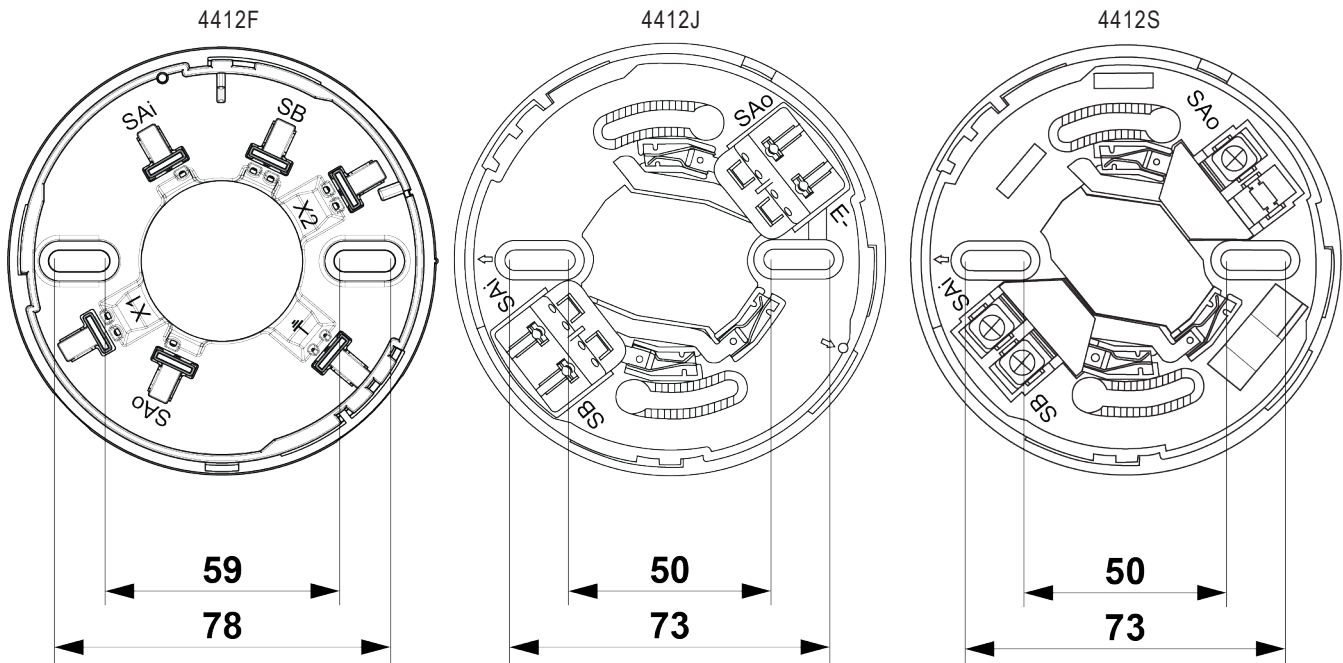
4412F and 4412J has fast connectors for all terminals. See also chapter 5. INSTALLATION AND WIRING on page 7.

### 3.2. LABEL HOLDER

A label holder can be mounted in the label holder recess. The label holder is intended for a label showing "zone-address" or "technical number" information, which can be read also when the detector is plugged in the base.

## 4. MOUNTING

The analog base must be mounted in the ceiling. Screws are not supplied.

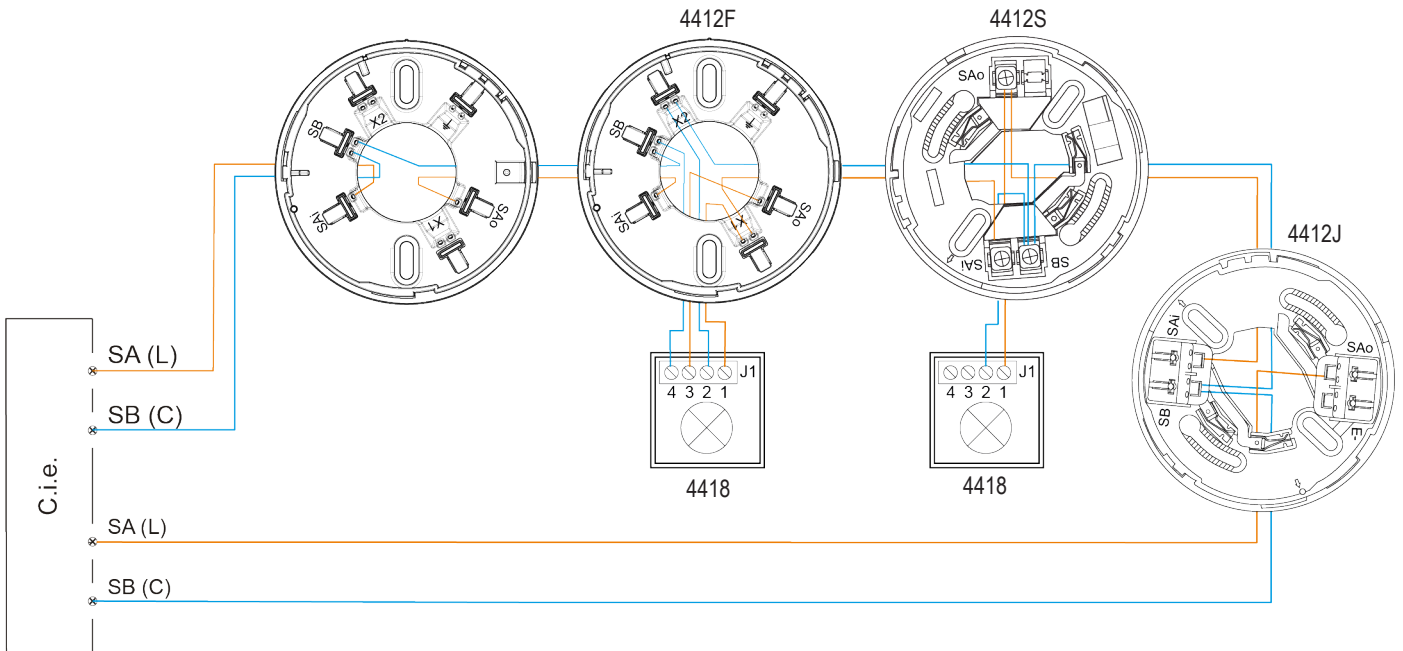


(Measure in mm)

The base is prepared for mechanical locking of the detector, when a detector with a locking screw is plugged into the base.

## 5. INSTALLATION AND WIRING

Screen wire termination available for 4412F only.



The analog multi detector 4400I and the analog smoke detector with isolator 4401I can be plugged in the bases 4412F, 4412J, and 4412S

### 4412F

Terminal name	Description	Wire size (Min)	Wire size (Max)
SAi	COM-loop SA input	Ø 0.6 mm (0.28 mm <sup>2</sup> )	Ø 1.2 mm (1.13 mm <sup>2</sup> )
SAo	COM-loop SA output		
SB	COM-loop SB input / output		
X1	If necessary, connect excess wires of fire alarm cable. (for +30V DC or its ground only)		
X2	If necessary, connect excess wires of fire alarm cable. (for +30V DC or its ground only)		
Screen	If necessary, connect screened wires of fire alarm cable	Ø 0.3 mm (0.07 mm <sup>2</sup> )	Ø 0.6 mm (0.28 mm <sup>2</sup> )

### 4412S

### 4412J

Terminal name	Description	Wire size (Min)	Wire size (Max)	Wire size (Min)	Wire size (Max)
SAi	COM-loop SA input	Ø 0.65 mm (0.33 mm <sup>2</sup> )	Ø 1.6 mm (2 mm <sup>2</sup> )	Ø 0.6 mm (0.28 mm <sup>2</sup> )	Ø 1.2 mm (1.0 mm <sup>2</sup> )
SAo	COM-loop SA output				
SB	COM-loop SB input / output				

## 6. TECHNICAL DATA

*All current consumptions are valid by nominal voltage and by 25 °C.*

Voltage: Allowed Normal	12 – 30V DC 24V DC		
Current: Quiescent Active	0 mA 0 mA		
Address range	N/A		
Address setting	N/A		
Short circuit isolator	No		
Internal battery	No		
Material	ABS		
Ambient temperature: Operating Storage	-10 to +55 °C -20 to +70 °C		
Ambient humidity	Maximum 95 % RH (Non condensing)		
Ingress protection rating	IP41		
Size: Ø x H	<b>4412F</b> 102 x 23.3 mm	<b>4412J</b> 102 x 15 mm	<b>4412S</b> 102 x 15 mm
Weight:	<b>4412F</b> 59 g	<b>4412J</b> 42 g	<b>4412S</b> 43 g
Available colours:	4412F 4412F-B 4412J 4412S	White (10Y9/0.5, Munsell colour code) Matte Black (N1.5 Munsell colour code) White (10Y9/0.5, Munsell colour code) White (10Y9/0.5, Munsell colour code)	



## 7. APPROVALS

Applicable directive/ Approval	Applicable standards	Notified body
RoHS	EN50581	Self declaration



---

DOCUMENT NAME: TECHNICAL DESCRIPTION 4412F, 4412J, and 4412S  
DOCUMENT NUMBER: MEW02137  
DATE OF ISSUE: 2018-01-10  
REV: 3  
DATE OF REVISION: 2022-03-29

**Panasonic Fire & Security Europe AB**

Jungmansgatan 12  
SE-211 11 Malmö  
SE  
Tel: +46 (0)40 697 70 00